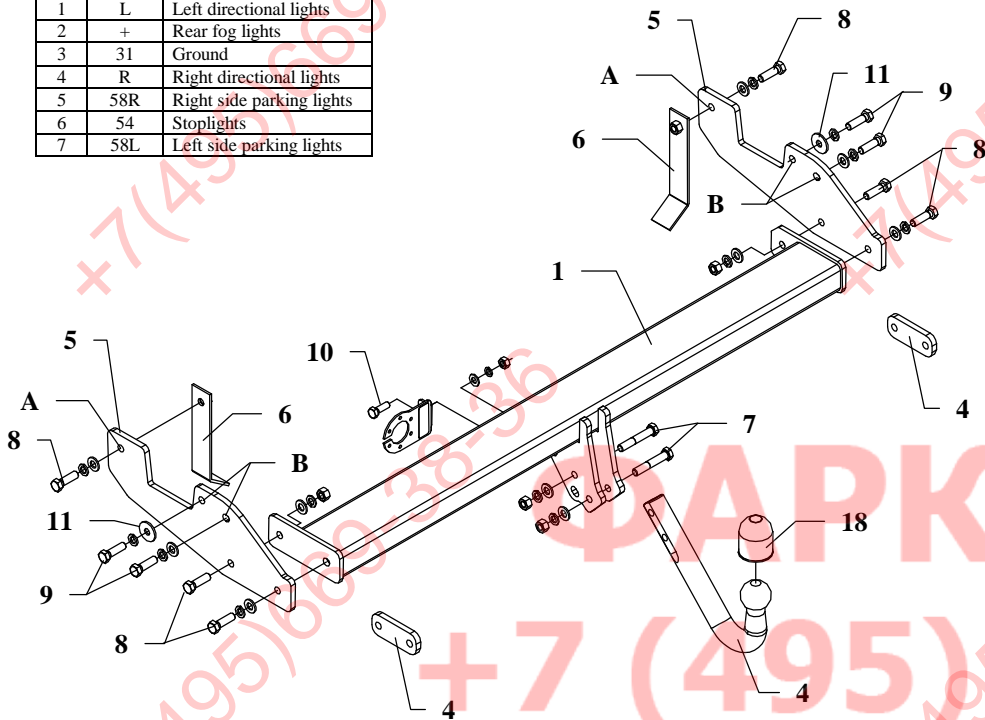


FITTING INSTRUCTION

Clamp mark in acc. with		Cables joining
ISO	PN	
1	L	Left directional lights
2	+	Rear fog lights
3	31	Ground
4	R	Right directional lights
5	58R	Right side parking lights
6	54	Stoplights
7	58L	Left side parking lights



This towbar is designed to assembly in following cars:
TOYOTA HILUX 4x4 with double cabin, produced since 2005, catalogue number **O64** and is prepared to tow trailers max total weight up to **2500 kg** and max vertical mass **100 kg**.

From manufacturer

Thank you for buying our product. Their reliability has been confirmed in many tests. Reliability of towbar depends also on correct assembly and correct exploitation. For this reasons we kindly ask to read carefully this instruction and apply to hints.

The towbar should be install in points described by a car producer.

The instruction of the assembly

1. Disassemble a bumper together with handles.
2. From bumper disassemble the handles and put distance plate (pos. 4) under. Reassemble.
3. To outside of the chassis frame fix loosely side brackets (pos. 5):
 - through hole A using bolts M12x40mm (pos. 8) and nut on jib (pos. 6)
 - through holes B using bolts M12x1,25x40mm (pos. 9).
4. Reassemble bumper loosely.
5. Between installed side brackets (pos. 5) put main bar of the towbar (pos. 1) and fix using bolts M12x40mm (pos. 8).
6. Fix tow-ball (pos. 2) using bolts M12x70mm (pos. 7) from accessories.
7. Fix socket plate (pos. 3) using bolt M10x30mm (pos. 10) to the ball bracket.
8. Fix tight all bolts according to the torque shown in the table.
9. Connect electric wires according to the instruction of the car. (Recommend to make at authorized service station)
10. Complete the paint coating damaged during installation.

Torque settings for nuts and bolts (8,8):

M 8	25 Nm	M 10	55 Nm
M 12	85 Nm	M 14	135 Nm

NOTE

After install the towbar you should get adequate note in registration book (at authorised service station).The car should be equipped with:

- Indicators
- Tow mirrors

After 1000km check all bolts and nuts. The ball of towbar must be always kept clear and conserve with a grease.

Towbar accessories:

Pos. 1 Main bar PCS.: 1	Pos. 5 Side bracket PCS.: 2	Pos. 10 Śruba 8.8 B M10x30mm PCS.: 1	Pos. 15 Spring washer ø10,2mm PCS.: 1
Pos. 2 Tow ball PCS.: 1	Pos. 6 Nakrętka na wysięgniku PCS.: 2	Pos. 11 Plain washer ø37xø13x3mm PCS.: 2	Pos. 16 Nut 8 B M12 PCS.: 4
Pos. 3 Socket plate PCS.: 1	Pos. 7 Śruba 8.8 B M12x70mm PCS.: 2	Pos. 12 Plain washer ø13mm PCS.: 10	Pos. 17 Nut 8 B M10 PCS.: 1
Pos. 4 Distance plate PCS.: 2	Pos. 8 Śruba 8.8 B M12x40mm PCS.: 6	Pos. 13 Plain washer ø10,5mm PCS.: 1	Pos. 18 Ball cover PCS.: 1
	Pos. 9 Śruba 8.8 B M12x1,25x40mm PCS.: 4	Pos. 14 Spring washer ø12,2mm PCS.: 12	



PPUH AUTO-HAK S.J.

Produkcja Haków Holowniczych
Henryk & Zbigniew Nejman
76-200 SŁUPSK ul. Słoneczna 16K
tel/fax (059) 8-414-414; 8-414-413
E-mail: office@autohak.com.pl
www. autohak.com.pl

Towing hitch (without electrical set)

Class: **A50-X** Cat. no. **064**
Designed for:
Manufacturer: **TOYOTA**
Model: **HILUX (with double cabin)**
Type: **4x4**
produced since 2005

Technical data:
D-value: 12,86 kN
maximum trailer weight: **2500 kg**
maximum vertical cup mass: **100 kg**

Approval number according to Directive 94/20/EC: **e20*94/20*0024*00**

ФАРКОМ.РФ

+7 (495) 669-38-36

Foreword

This towbar is designed according to rules of safety traffic regulations. The towing hitch is a safety component and can be install only by qualified personnel. Any alteration or conversion of the towing hitch is prohibited and would lead to cancellation of design certification. Remove insulating compound and underseal from vehicle (if present) in the area of the matting surfaces of the towing hitch. The vehicle manufacturer's specifications regarding trailer load and max. vertical cup load are decisive for driving whereat values for the towing hitch cannot be exceeded.

D-value formula:

$$\frac{\text{Max trailer weight [kg]} \times \text{Max vehicle weight [kg]}}{\text{Max trailer weight [kg]} + \text{Max vehicle weight [kg]}} \times \frac{9,81}{1000} = D \text{ [kN]}$$